

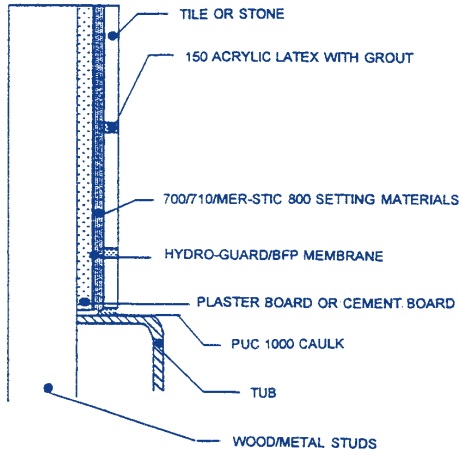
Mer-Krete™ B.F.P. & Hydro-Guard 2000

WATERPROOF and CRACK ISOLATION MEMBRANE

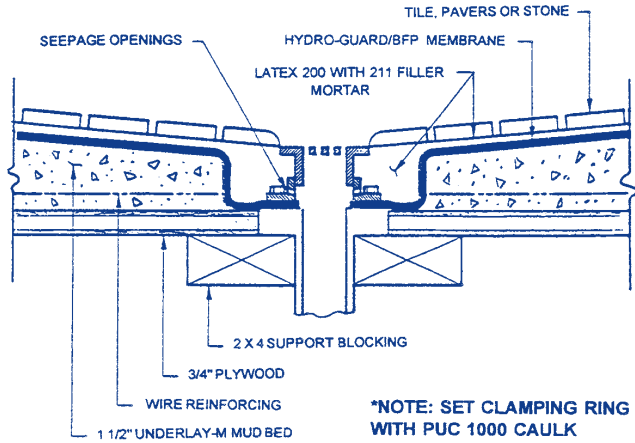
DETAILS

LOS ANGELES CITY APPROVAL RR 4321 – I.C.B.O. NO. ER-5487

TUB AND SHOWER DETAIL

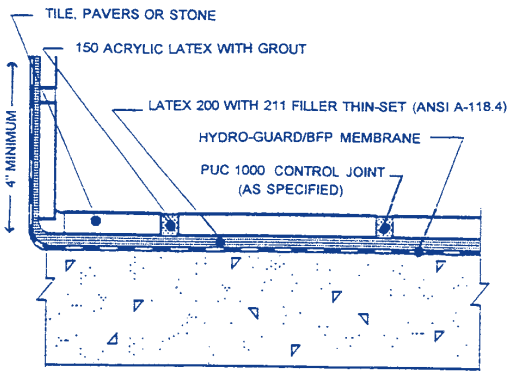


SHOWER DRAIN DETAIL

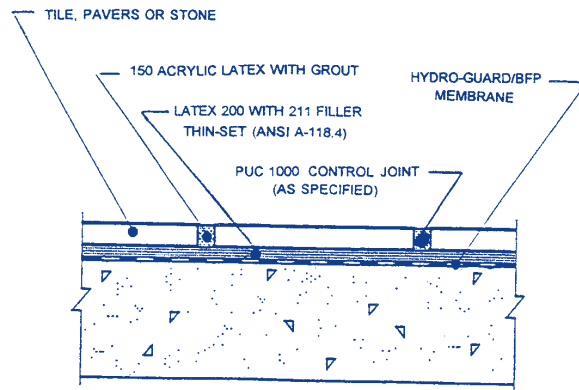


*NOTE: SET CLAMPING RING WITH PUC 1000 CAULK

BASE DETAIL - HYDRO-GUARD/BFP OVER MUD BED ON CONCRETE



HYDRO-GUARD/BFP OVER CONCRETE



Mer-Krete Systems
501 Van Ness Avenue
Torrance, California 90501

Tel: (323) 775-2461
Fax: (310) 320-4938
Internet: www.merkrete.com
E-mail: info@merkrete.com



MER-KRETE SYSTEMS
(800) 851-6303

A Division of ParexLahabra